

# SEALER PRO GUN

**7.2 Volt CORDLESS SEALING GUN**

## **Operating Instructions**



# GENERAL OPERATIONAL PRECAUTIONS

1. Consider working environment. Do not use the tool in damp or wet locations and keep work area well lit. Do not use tool in the presence of flammable liquids or gases.
2. Guard against electric shock. Avoid body contact with earthed or grounded surfaces.
3. Tool should only be used by authorised personnel and should be kept away from children.
4. The 7.2v battery charger is not intended for use by young children. Young children should be supervised so they do not play with this device. When not in use, tool should be stored in a clean, dry location.
5. Do not labour the tool. It will perform better and safer at the speed for which it was intended.
6. Do not abuse battery charger power cord. Never pull cord to disconnect plug from power socket. Keep cord away from heat, oil and sharp edges.
7. Before using tool, check for any damage. Check for alignment or obstruction of moving parts, and any other condition that may affect its operation.
8. Any damaged or defective parts should be properly repaired or replaced by an authorised service center unless otherwise indicated in this instruction manual. Do not use tool if defective in any way.
9. To ensure the continued operational integrity of the power tool, do not dismantle tool casing.
10. Do not touch movable parts or accessories unless the power source has been disconnected.
11. Dripping may occur with small nozzle openings or when using exceptionally soft sealants or adhesives.
12. Do not insert a cartridge or sausage if it is wet, or if the sealant/adhesive has hardened.
13. Some high modular urethanes may require heating or warming before extruding. Before extrusion, it is recommended to knead sausages thoroughly.

## OVERLOAD PRECAUTIONS

1. Regular stalling or overloading of the motor and gearing may cause serious damage.
2. Urethanes/sealants can cause overload if a batch is out of date or faulty or if sealant is cured in nozzle.
3. If the tool is operated continuously for long periods of time, the motor may become hot. Allow the tool to cool from time to time.

## OPERATING HINTS & TIPS FOR RE-CHARGING BATTERIES

1. For best performance, batteries should be fully drained/flat before recharging, otherwise, operational time may be reduced.
2. During Charging:  
**RED LIGHT** means battery is FAST CHARGING (**APPROX. 1 HOUR**),  
**GREEN LIGHT** means battery is fully charged and is on TRICKLE CHARGE.

The Amp Hour capacity of the charger is 2.4A

## IMPORTANT SAFETY INSTRUCTIONS FOR BATTERY & BATTERY CHARGER

1. The CG72-30 charger is only to be used for charging the 7.2 volt CG72-29 type battery packs. Other batteries are not to be charged using this charger.
2. Before using battery charger, read all instructions and cautionary markings on batteries and charger.
3. Do not expose charger to moisture.
4. To reduce the risk of damage to electric plug and cord, pull by plug rather than cord when disconnecting charger.
5. Use of any attachment not recommended or sold by the battery charger manufacturer may result in risk of fire, electric shock or injury to persons.
6. Ensure cord is located so that it will not be stepped on, tripped on, tripped over, or otherwise subjected to possible damage.
7. Do not operate charger with damaged cord or plug. Replace them immediately.

# **ADDITIONAL SAFETY RULES FOR CHARGER & BATTERY CARTRIDGE**

- 8.** Do not operate charger if it has received a sharp blow, been dropped, or otherwise damaged in any way. Take it to a qualified service centre.
- 9.** To reduce risk of electric shock, unplug charger from outlet before attempting any maintenance or cleaning. Turning off controls will not reduce this risk.
- 10.** Do not disassemble battery or battery charger. Take it to a qualified service center if repair is required, as incorrect re-assembling may result in a risk of electric shock or fire.
- 11.** Do not charge battery cartridge when temperature is below 10°C (50°F) or above 40°C (104°F).
- 12.** Only charge battery with charger supplied by the manufacturer.
- 13.** Do not allow the charger vents to become covered or clogged.
- 14.** Always cover the battery terminals with the battery cover when the battery is not used.
- 15.** Do not short the battery:  
Do not touch the terminals with any conductive material.  
Avoid storing cartridge in a container with other metal objects such as nails, coins, etc.  
Do not expose battery to water or rain. A battery short can cause large current flow, overheating, possible burns or a tool breakdown.
- 16.** Do not store the tool or battery in locations where the temperature may reach or exceed 50°C (120°F)
- 17.** Do not incinerate the battery even if it is severely damaged or completely worn out. The battery may explode in a fire.
- 18.** Be careful not to drop, shake or strike battery.
- 19.** Do not charge inside a box or container of any kind. The battery must be placed in a well ventilated area during charging.

# VIEWING THE MAJOR COMPONENTS

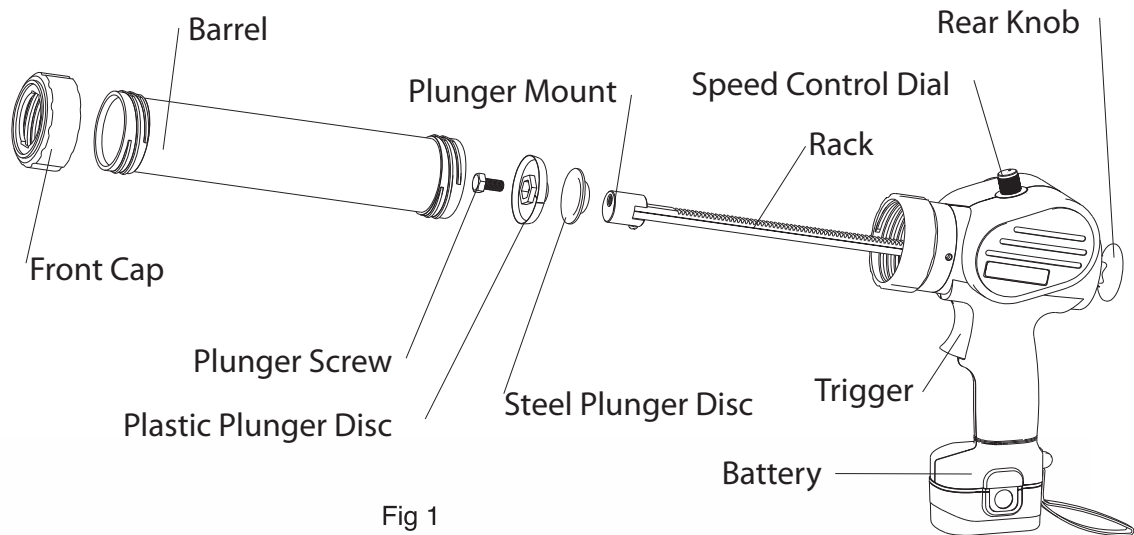


Fig 1

## For Sausage Bag Application

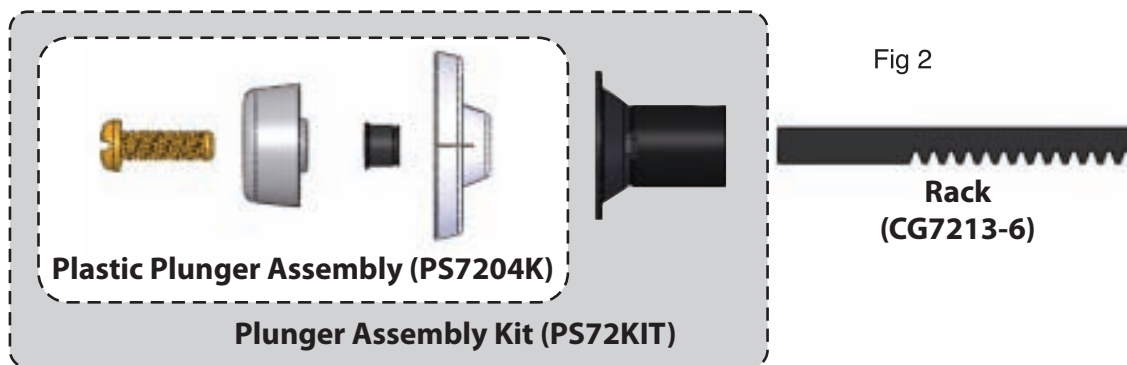
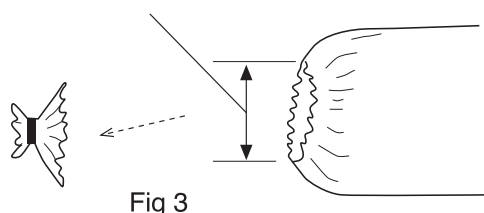


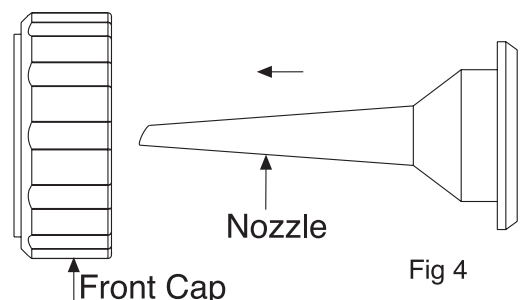
Fig 2

1. Cut a hole in one end of the sausage bag as shown in the figure below.

Approx. 2 cm across



2. Remove the front cap. Fit the nozzle inside the front cap and cut off the tip at a point suitable for the job.



3. Insert the sausage bag into the barrel. Screw the front cap on tight. It is not necessary to pull back the rack by hand. Make sure the sausage bag is inserted properly and sits upright on the Plastic Plunger Disc.
4. Push the Rear Knob forward so that the Plastic Plunger Disc is firm on the rear of the sausage.

# HOW TO USE THE SEALING GUN

1. Pass one hand through the wrist strap and grasp the handle while holding the barrel with the other.
2. Place the nozzle tip at desired starting point and depress trigger. The rack will move forward, dispensing sealant/adhesive.
3. The rack will retract slightly when trigger is partially released in order to prevent dripping, so allow a few seconds for the rack to move forward when resuming tool usage.
4. Set tool dispensing speed according to task. The speed control dial is located at top of tool housing.



Fig 15

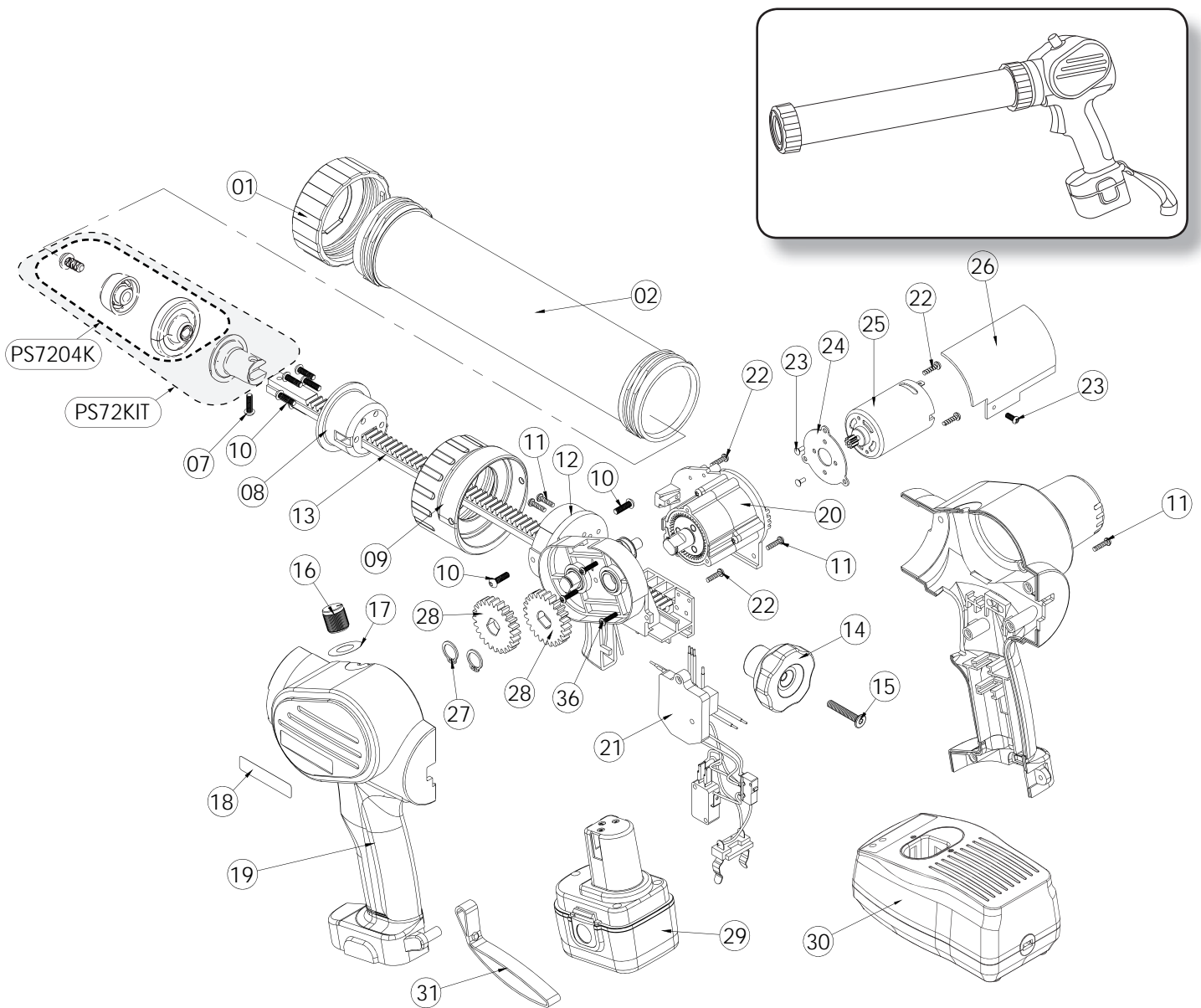
## MAINTENANCE

1. Inspect and clean the tool regularly.
2. Disconnect battery before any maintenance.
3. If sealant/adhesive adheres to the rack, clean rack before it hardens.
4. Do not wipe plastic parts with solvents or liquids such as gasoline, thinner, benzene, carbon tetrachloride, alcohol, ammonia or oil as they may damage or crack plastic parts. Clean plastic parts with a soft cloth and soapy water.
5. Ensure that plastic plunger and inside of barrel are clean and smooth.
6. Ensure that outside of sausage is also free of foreign matter, which may cause friction when sliding along the inside of aluminium barrel.
7. At all times, avoid dirt and foreign matter entering the caulking gun mechanism, which may cause the mechanism to jam or stop.
8. Ensure that the teeth on the rack are free of burrs.
9. Do not disassemble the tool. Should any repairs become necessary, contact the supplier or consult an authorised service center.

## USING AIR PRESSURE TO CLEAN MECHANISM

1. Remove rear knob (14) from rack and pull the rack out of the caulking gun. This will allow some vision from the front and also access to the mechanism or clutch gear.
2. Using an air blow gun, direct air pressure through the rack opening at and around the drive mechanism. At the same time, engage and release the trigger and motor several times.
3. Check for burrs and other obstructions on the rack teeth before re-fitting the rack.
4. Ensure that the rear knob is fitted to the rack with the lug facing toward the bottom of the rack. The lug contacts and operates a micro safety switch which stops the rack at maximum travel.
5. Do not apply lubrication to the mechanism.





**BTB Spares part numbers are listed in the tables below.**  
**Part captions above correspond the bold numbers in the tables below.**

No.	Description
CG7201	Aluminium End Cap
CG7202-6	Barrel (600ml Gun)
<b>PS7204K</b>	Plastic Plunger Assy
<b>PS72KIT</b>	Plunger Assembly Kit
CG7207	Plunger Mount Screw
CG7208	Connecting Ring
CG7209	Connector Cap
CG7210	Screw
CG7211	Screw
CG7212	Rack Guide Assembly
CG7213-6	Rack (600ml Gun)

No.	Description
CG7214	Rear Knob
CG7215	Rear Knob Screw
CG7216	Speed Control Dial
CG7217	Speed Control Label
CG7218	Main Housing Label
CG7219	Main Housing (L&R)
CG7220	Gear Box Assembly
CG7221	Speed Control PCB
CG7222	Screw
CG7223	Screw
CG7224	Motor Ring

No.	Description
CG7225	Motor Assembly 7.2v
CG7226	Heat Sink
CG7227	C Ring
CG7228	Gear M1X36T
CG7229	7.2v Battery-Pack
CG7230	Batt Charger 240v
CG7231	Wrist Strap
CG7250	Plastic Carry Case
CG72MS	Micro Switch

*AP1430 models  
after September 2013.*



## **BTB Auto Glass & Body Shop Tools**

1b Wood St, Bendigo VIC 3550

Tel: 03 5443 1755

Fax: 03 5441 5263

Email: [sales@btbtools.com](mailto:sales@btbtools.com)

Web: [www.btbtools.com](http://www.btbtools.com)

**DISTRIBUTOR:**