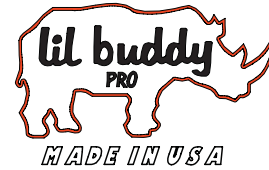
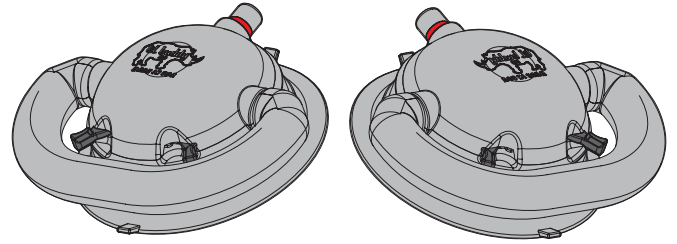
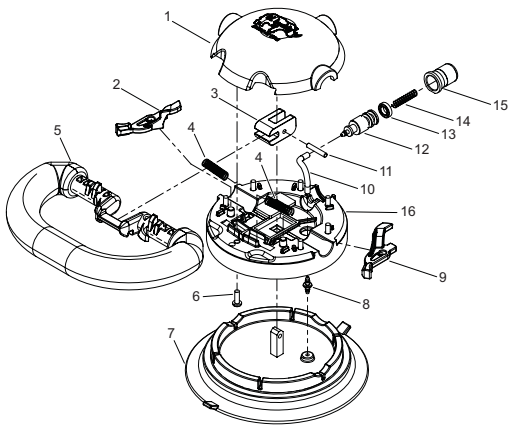


lil-BUDDY™ JUNIOR

SUCTION CUPS



Item	Qty.	Description	Part Number
1	1	Cover	11001
2	1	LH Locking Latch	11002
3	1	Lift Lever	11003
4	2	Locking Latch Spring	11004
5	1	Handle	11005
6	7	Screw	11006
7	1	Suction Cup	11007
8	1	Air Valve	11008
9	1	RH Locking Latch	11009
10	1	Air Hose	11010
11	1	Lift Lever Pin	11011
12	1	Warning Valve	11012
13	1	Warning Valve Seal	11013
14	1	Warning Valve Spring	11014
15	1	Warning Valve Cover	11015
16	1	Suction Cup Housing	11016

Australian Distributor:

BTB Tools. t. 03 5443 1755 e. sales@btbtools.com

STANDARD WARRANTY

Lil BUDDY™ warrants that its products will be free from defects in design, materials, and workmanship for a period of 365 days from the date of shipment. All claims for breach of this warranty must be made within 30 days after the defect is or can, with reasonable care, be detected and in no event no more than 30 days after the warranty has expired. In order to be entitled to the benefits of this warranty, the products must have been properly installed, maintained, and operated within their rated capacities and/or specified design parameters, and not otherwise abused. This warranty is Lil Buddy's exclusive warranty. LIL BUDDY EXPRESSLY DISCLAIMS ALL IMPLIED WARRANTIES, INCLUDING THE IMPLIED WARRANTIES OF MERCHANTABILITY AND FITNESS. Non-standard warranties, if any, must be specified by Lil Buddy in writing.

In the event of any defects covered by this warranty, Lil Buddy will remedy such defects by repairing or replacing any defective equipment or parts, bearing all the costs for parts, and transportation. This shall be the exclusive remedy for all claims whether based on contract, negligence, or strict liability.

LIMITATION OF LIABILITY

LIL BUDDY SHALL NOT IN ANY EVENT BE LIABLE FOR ANY LOSS OF USE OF ANY EQUIPMENT OR INCIDENTAL OR CONSEQUENTIAL DAMAGES OF ANY KIND, WHETHER FOR BREACH OF WARRANTY, NEGLIGENCE, OR STRICT LIABILITY.

INTRODUCTION

The lil-BUDDY Junior Suction Cups are intended to be used with the lil-BUDDY PRO1 Windshield Installation tool. When properly operated they retain a secure grip on one side of the windshield so the technician can easily manoeuvre, and accurately position a replacement windshield.

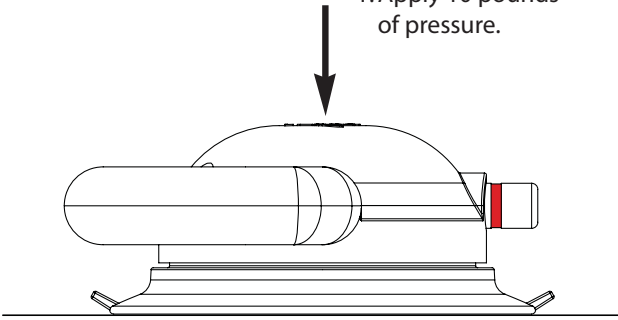
The lil-BUDDY Junior Suction Cups are covered by the following U.S. patents: (patent # pending) and pending U.S. and foreign patent applications. lil-BUDDY™, lil-BUDDY™ PRO, lil-BUDDY™ PRO1 and lil-BUDDY™ Junior are a trademarks of lil-BUDDY Corporation.

⚠ WARNING

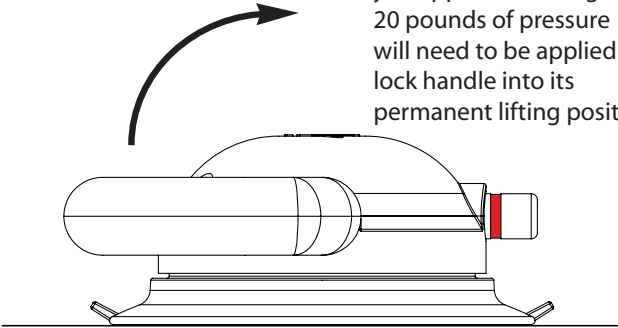
- Be sure that the suction cup pad is clean.
- Glass **MUST** be clean and smooth before attaching suction cups.
- Each suction cup has a max 50 Lbs. holding weight.

OPERATION

1. Apply 10 pounds of pressure.

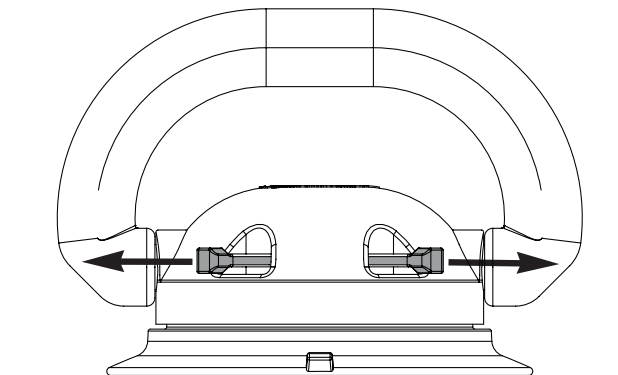
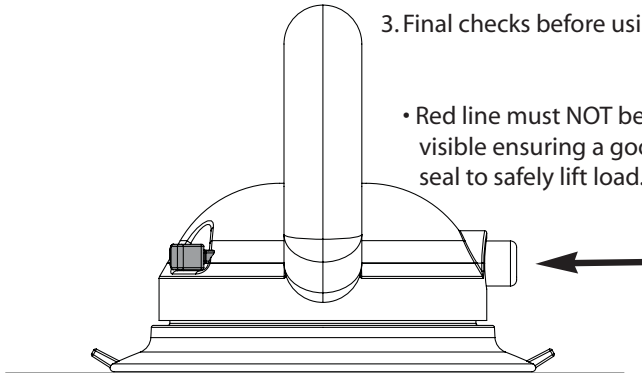


2. Rotate handle into its lifting position. Once you approach 90 degrees 20 pounds of pressure will need to be applied to lock handle into its permanent lifting position.



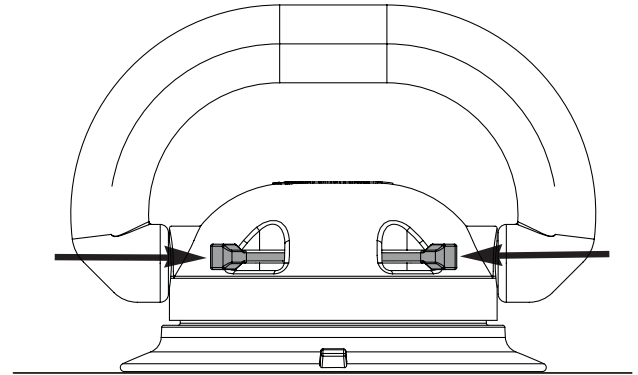
3. Final checks before using:

- Red line must NOT be visible ensuring a good seal to safely lift load.

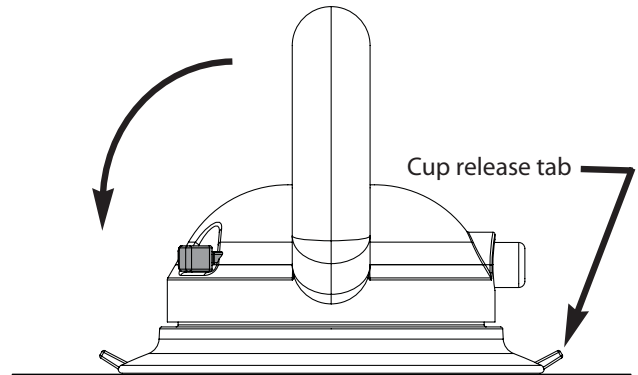


- Locking latches **MUST** be fully locked out to permanently lock handle into the lifting position. If they are not, attempt to rotate handle past 90 degrees until latches lock out.

4. To release suction cups:

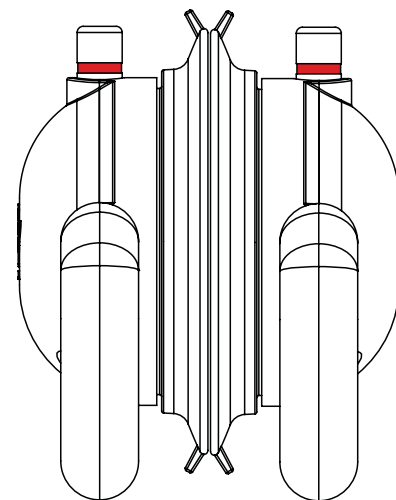


- Press inward on both locking latches to unlock handle.



- Rotate handle back down to its stored position and pull up on the cups release tab.

5. Properly store suction cups back into case to keep them clean.



- Place suction cups together with warning valves to the top when storing in case.